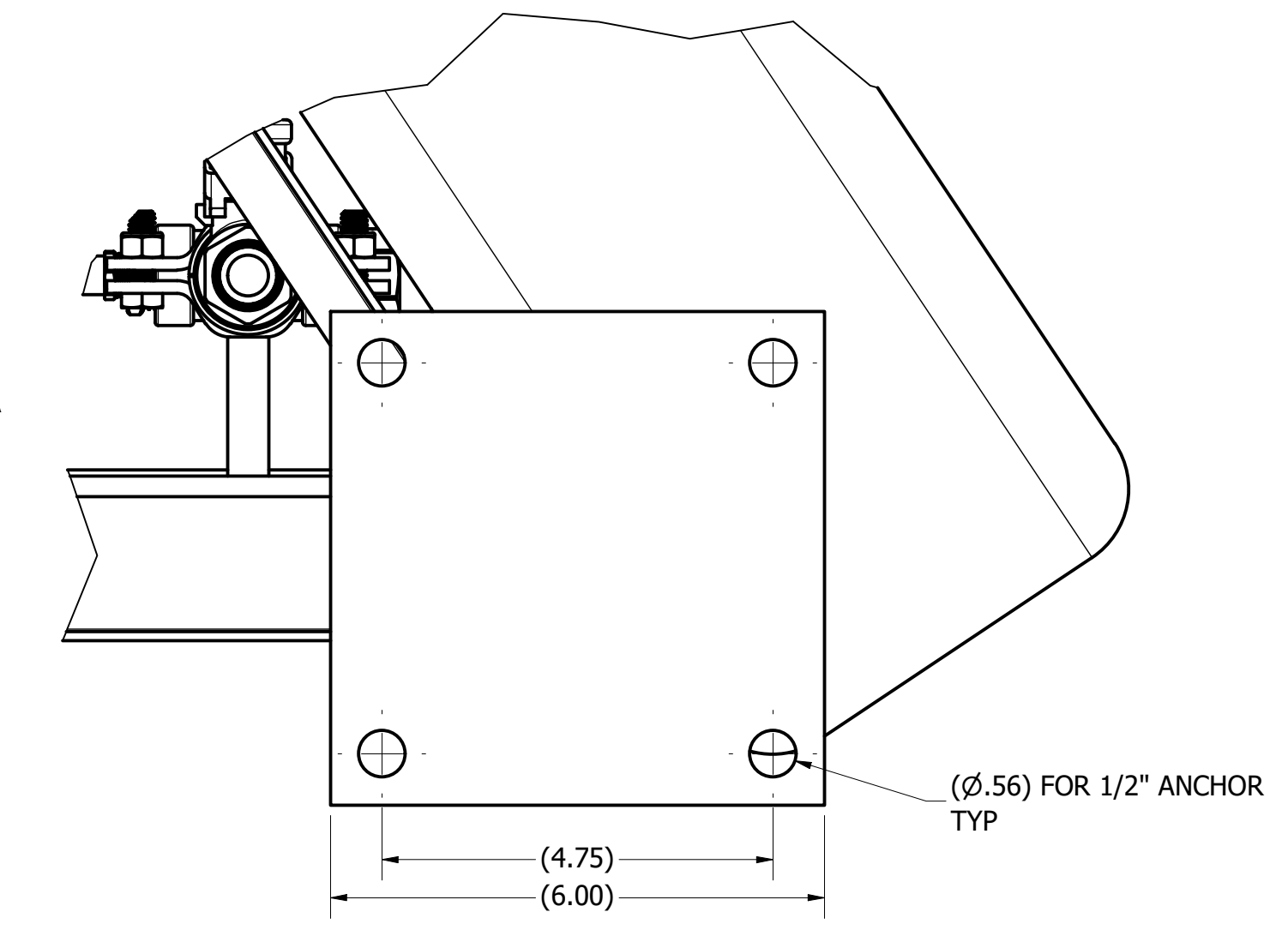


DETAIL A
SCALE .5



PARTS LIST		
ITEM	QTY	DESCRIPTION
1	1	CAMOZZI SWIV MALE 90 1/4 X 3/8
2	2	SPACER 18-8 .50X2.25
3	13	SPACER NYLON .3125X.375
4	1	HOSE .50 MNPTXFSNPT 54 LEN
5	1	COMBO STATION, FRAME WLDMT
6	1	COMBO STATION, WATER ASSY
7	1	COMBO STATION, AIR ASSY
8	1	FOAM/RINSE/SANITIZE UNIT W/MOD. HGR
9	1	SPRAY/RINSE ASSEMBLY, 1/2X50FT
10	13	BOLT HEX HEAD 304 .31-18X1.25
11	2	BOLT HEX HEAD 304 0.5-13X4
12	13	NUT HEX 304 .313-18
13	2	NUT HEX 304 .50-13
14	26	WASHER FLAT 304 .313
15	4	WASHER FLAT 304 0.5
16	1	HOSE NOZZLE BRASS .50 SWIVEL
17	1	FI-FRS HOSE HANGER, 100' CAP
18	1	PLASTIC POLY FLOW TUBING .25

sterling
Process Equipment and Services, Inc.
333 McCormick Blvd
Columbus, Ohio 43213-1526
Ph: (614) 868-5151 (800) 783-7875
www.sterlingpe.com sales@sterlingpe.com

UTILITY STATIONS
COMBO STATION ASSY

Project Mgr: JJM	Drawn By: nkopycinski	Checked By:	Scale: NTS	Date: 3/12/2021
Job No.	Sheet 1	Of 1	Rev. 2	
Dwg. No. C0013-01-0000				

The information, data and drawings embodied in this document are the ownership of Sterling Process Engineering and Services, Inc. Understanding that they will not be disclosed to third parties without prior written consent of Sterling Process Engineering and Services, Inc.