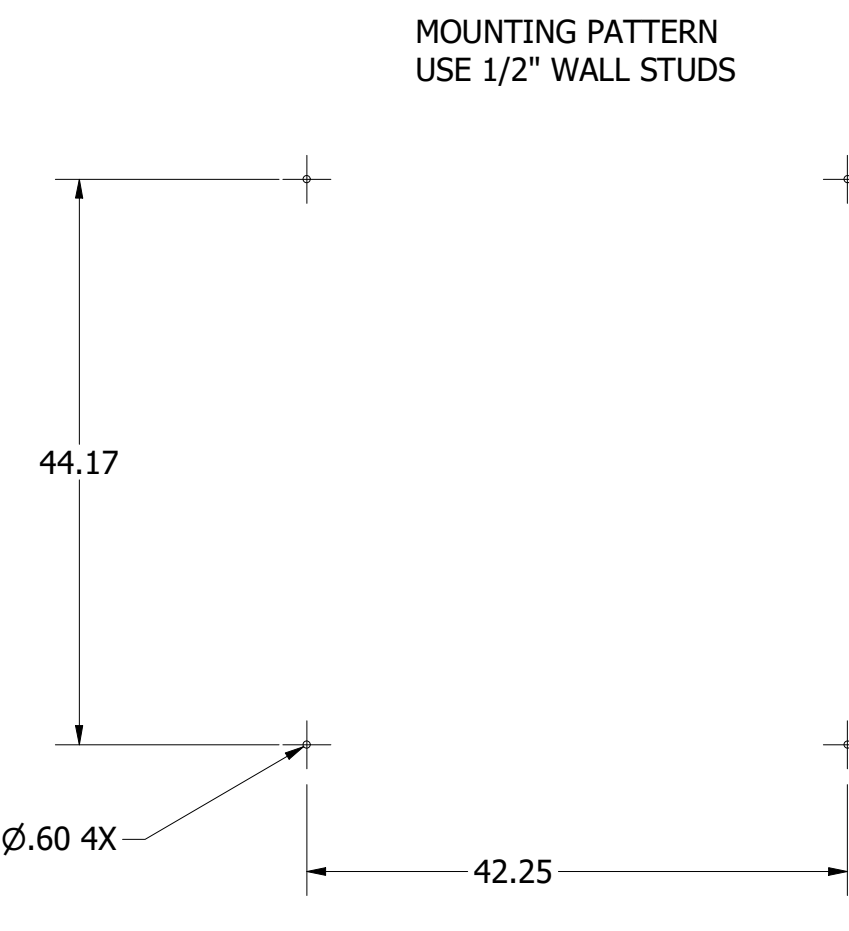
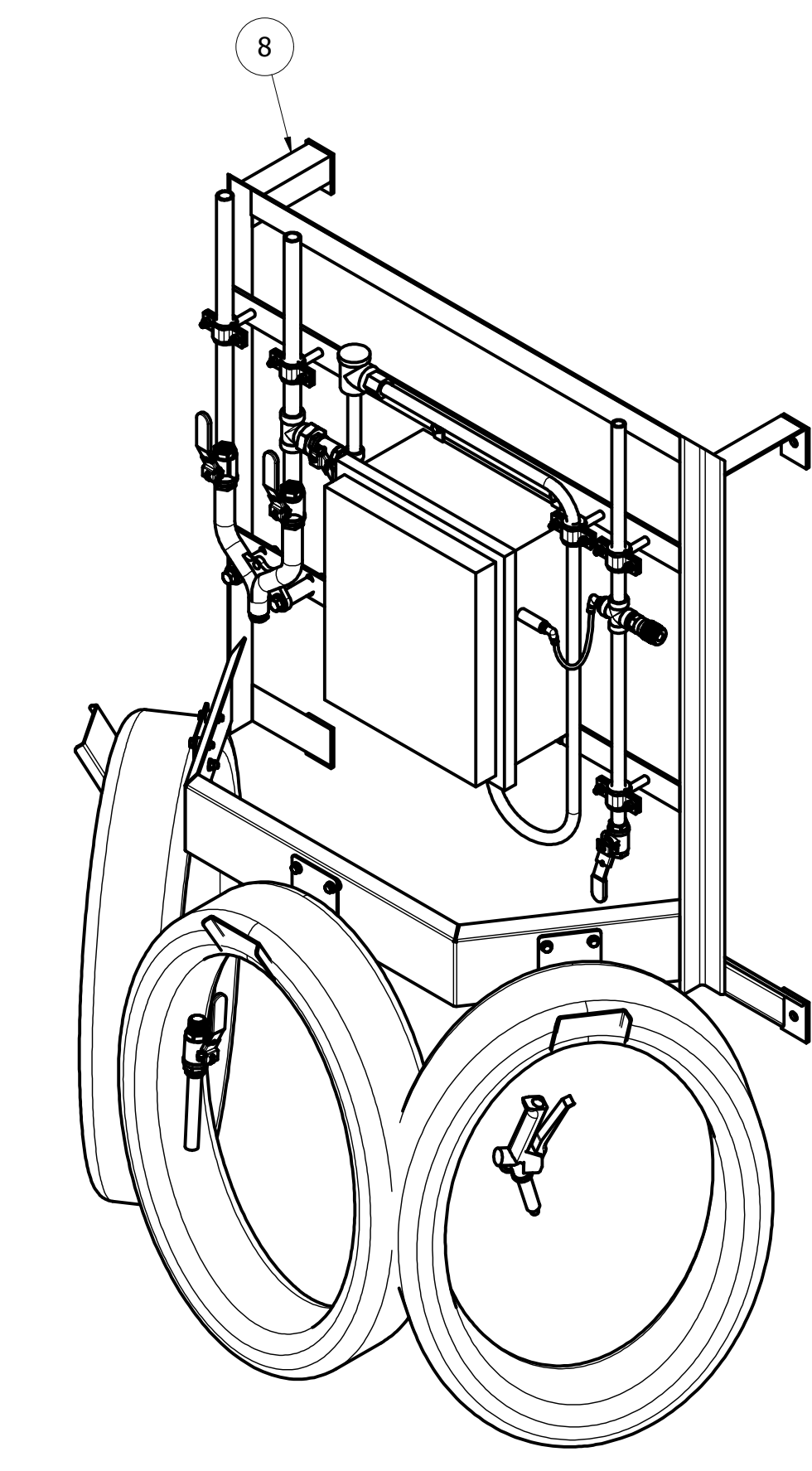
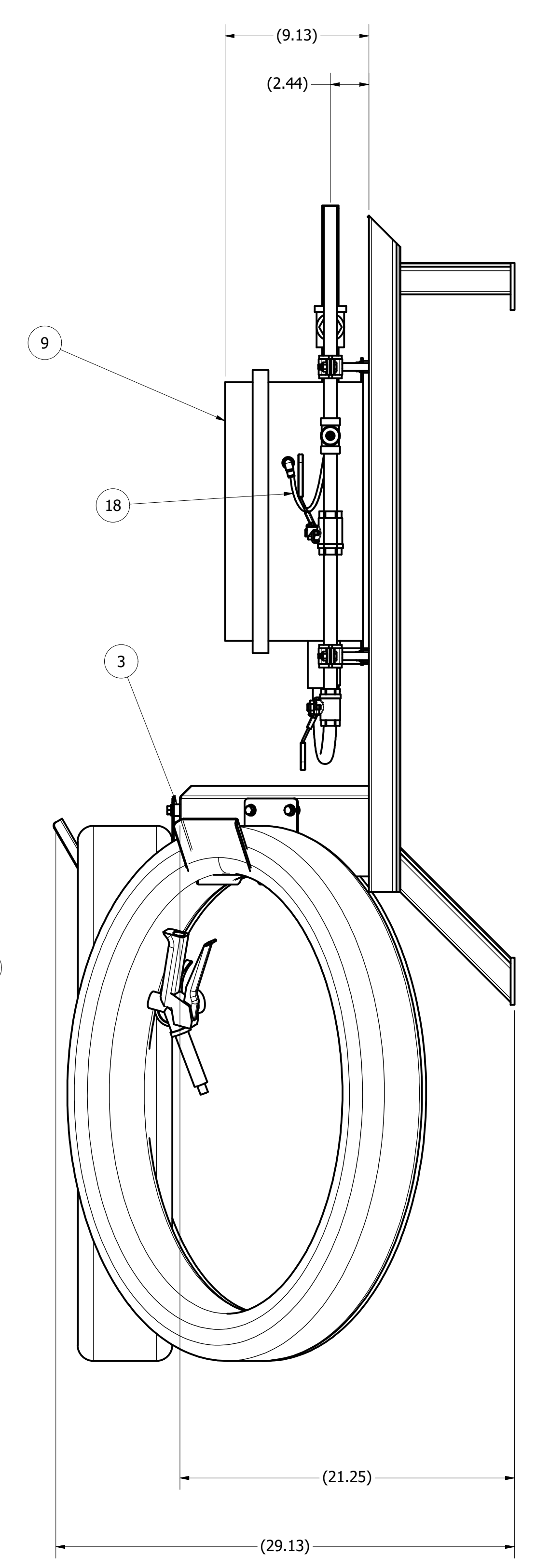


PARTS LIST		
ITEM	QTY	DESCRIPTION
1	1	CAMOZZI SWIV MALE 90 1/4 X 3/8
2	2	SPACER 18-8 .50X2.25
3	13	SPACER NYLON .3125X.375
4	1	HOSE .50 MNPTXFSNPT 54 LEN
5	1	FI-FRS HOSE HANGER, 100' CAP
6	1	COMBO STATION, WATER ASSY
7	1	COMBO STATION, AIR ASSY
8	1	COMBO STATION, WM, FRAME WLDMT
9	1	FOAM/RINSE/SANITIZE UNIT W/MOD. HGR
10	1	SPRAY HOSE ASSEMBLY, 1/2X50FT
11	13	BOLT HEX HEAD 304 .31-18X1.25
12	2	BOLT HEX HEAD 304 0.5-13X4
13	13	NUT HEX 304 .313-18
14	2	NUT HEX 304 .50-13
15	26	WASHER FLAT 304 .313
16	4	WASHER FLAT 304 0.5
17	1	HOSE NOZZLE BRASS .50 SWIVEL
18	1	PLASTIC POLY FLOW TUBING .25



**sterling**  
Process Equipment and Services, Inc.  
333 McCormick Blvd  
Columbus, Ohio 43213-1526  
Ph: (614) 868-5151 (800) 783-7875  
www.sterlingpe.com sales@sterlingpe.com

UTILITY STATIONS  
COMBO STATION ASSY, WM

Project Mgr: JJM	Drawn By: nkopycinski	Checked By: NTS	Date: 3/12/2021
Scale: NTS	Job No.:	Sheet 1 of 1	Rev. 1
Dwg. No. C0013-03-0000			The information, data and drawings embodied in this document are the ownership of Sterling Process Engineering and Services, Inc. Understanding that they will not be disclosed to third parties without prior written consent of Sterling Process Engineering and Services, Inc.